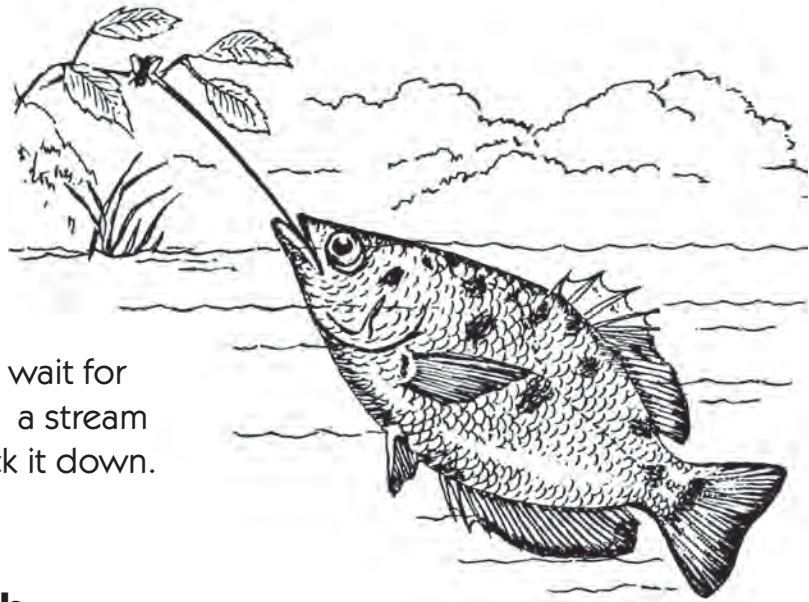


Archerfish



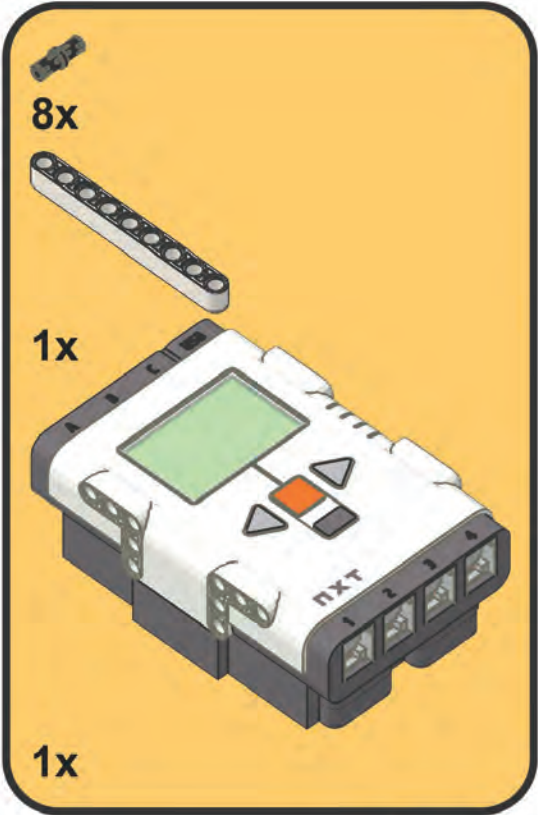
The Archerfish lies in wait for his dinner, then spits a stream of water at it to knock it down.

NXT Archerfish

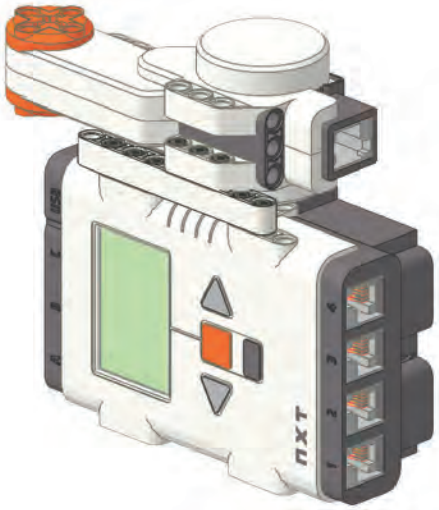


Body

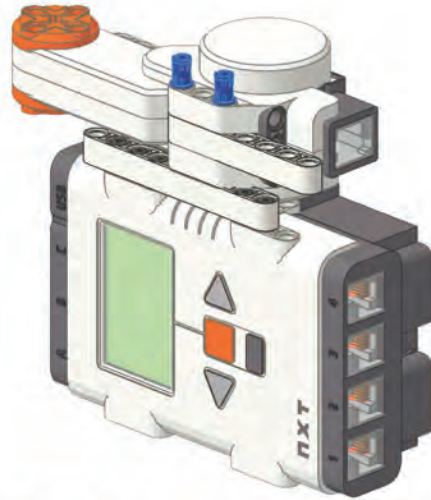
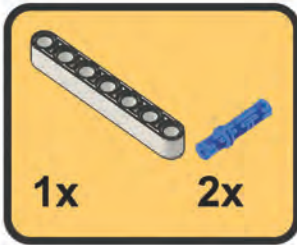
1



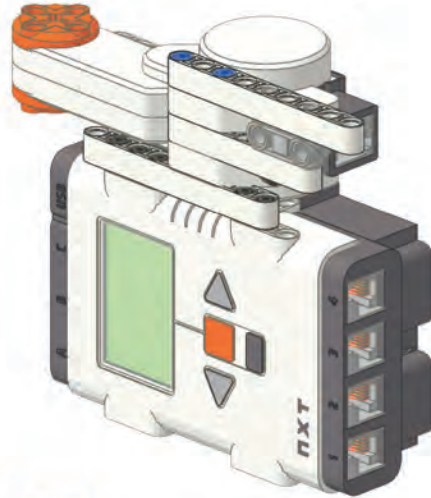
2



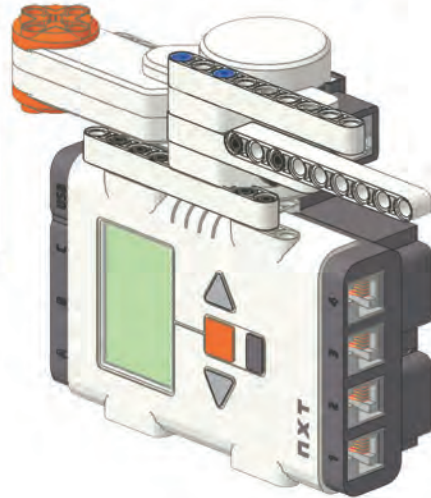
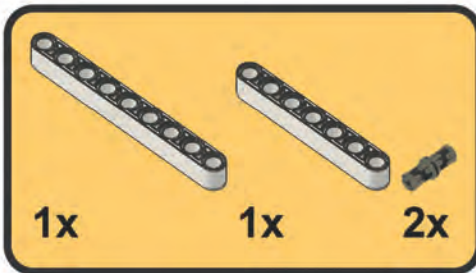
3



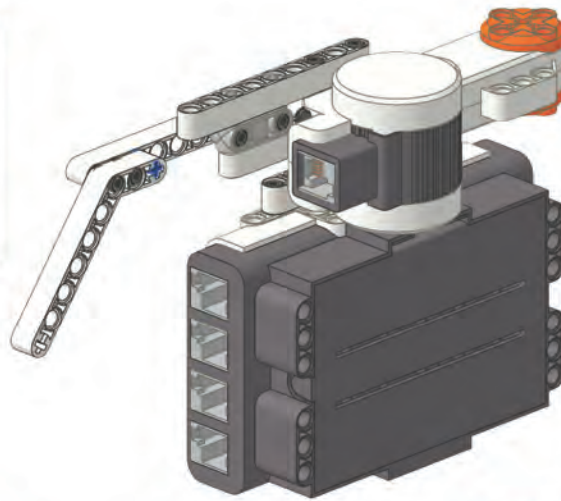
4



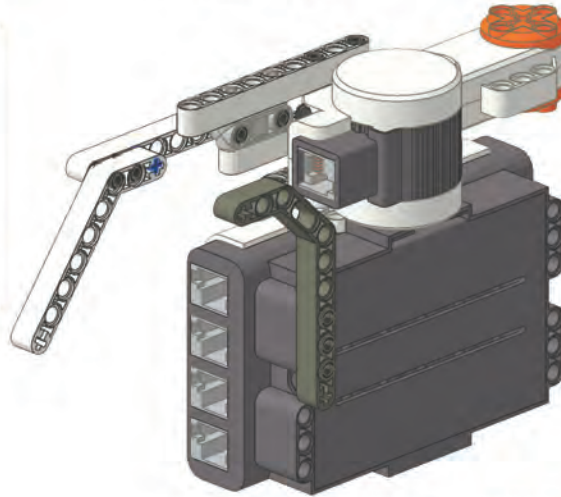
5



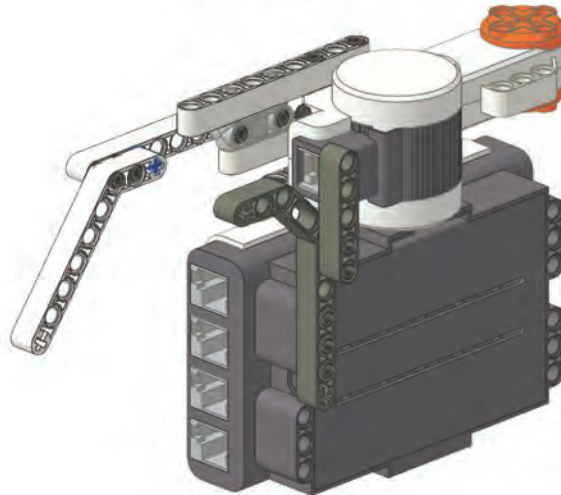
6



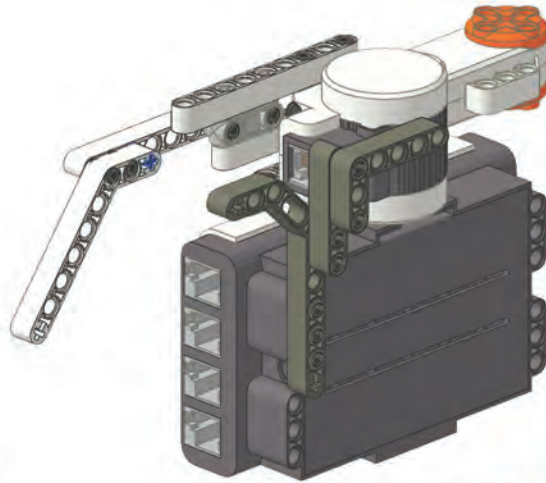
7



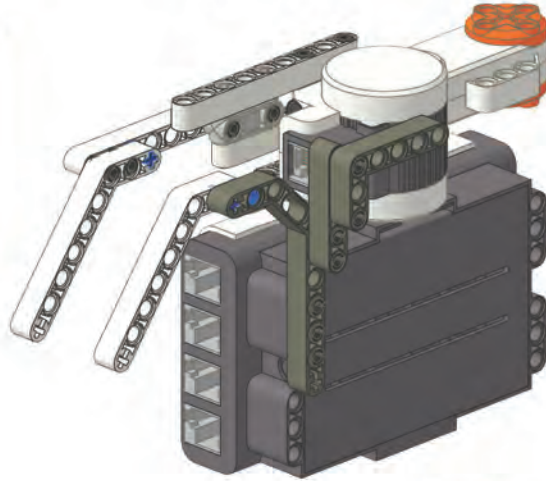
8



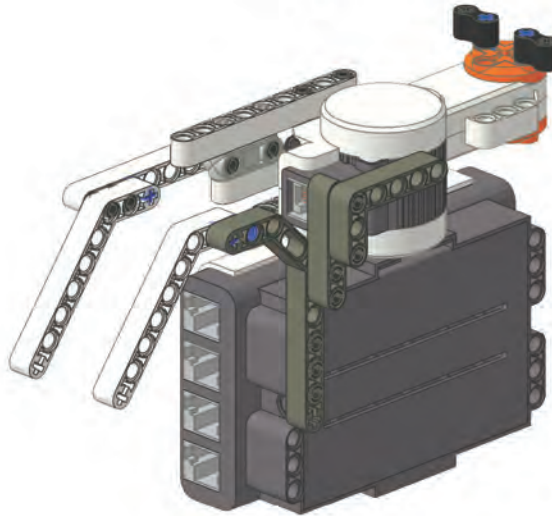
9



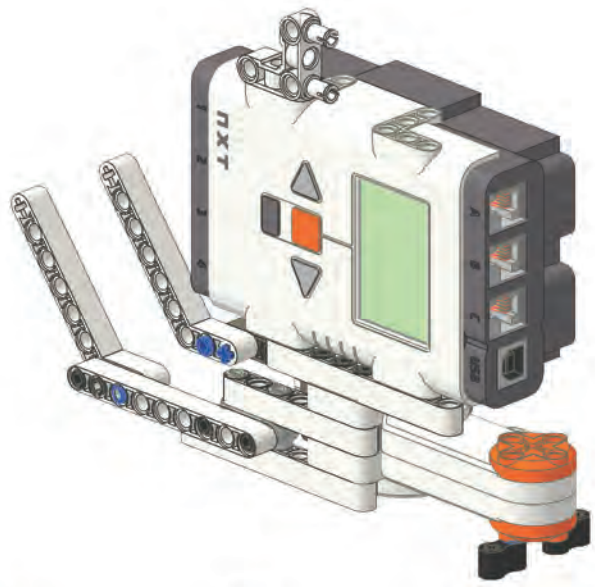
10



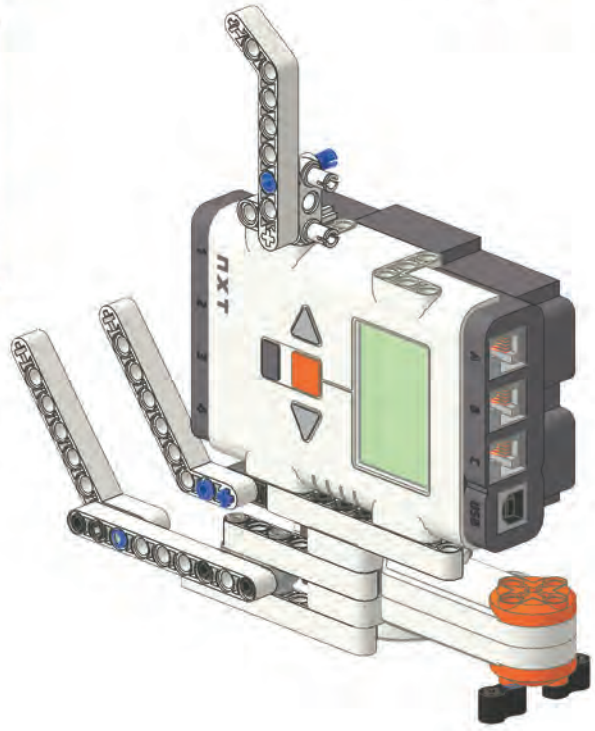
11



12



13

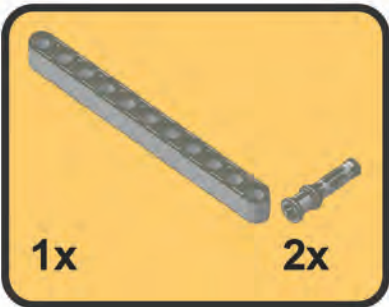


Head

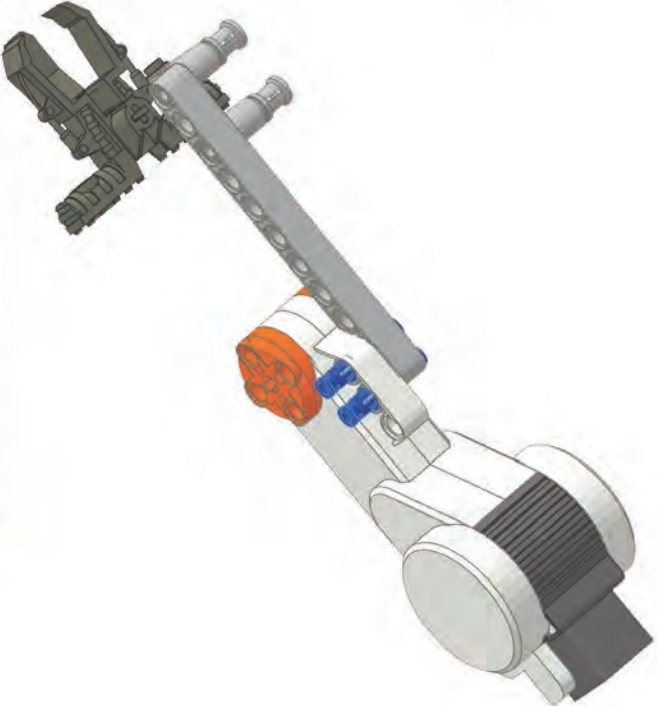
1



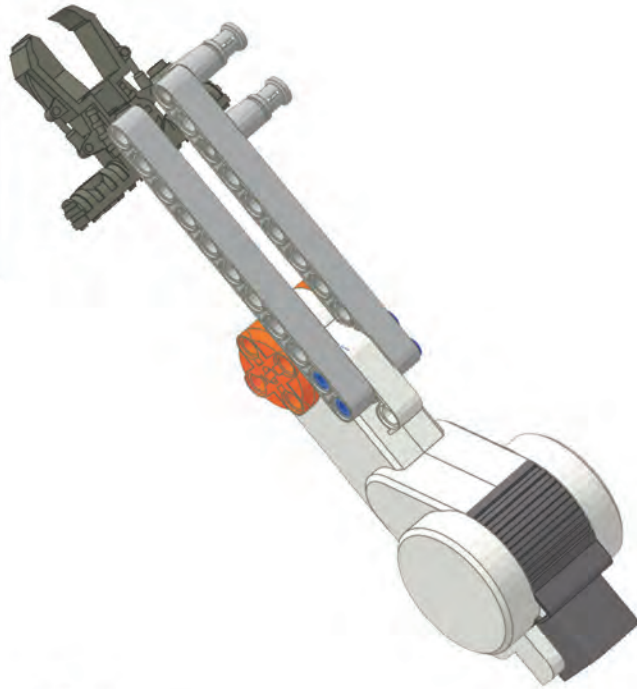
2



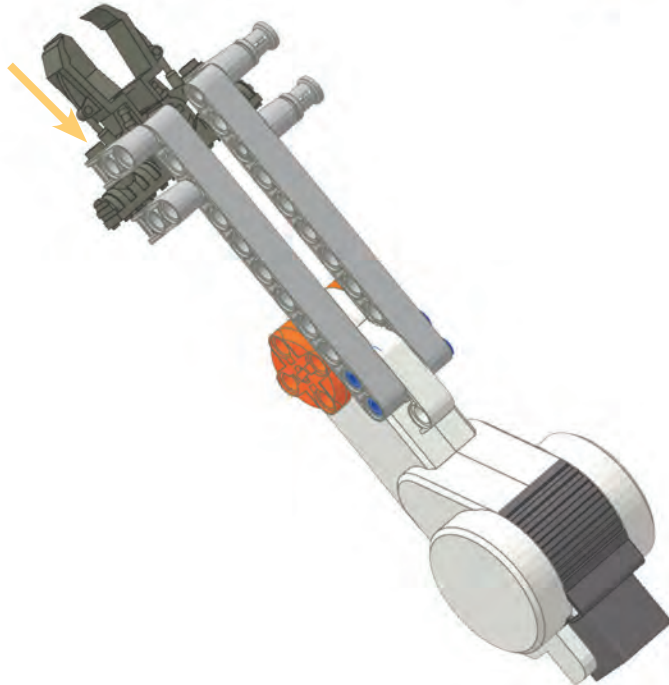
3



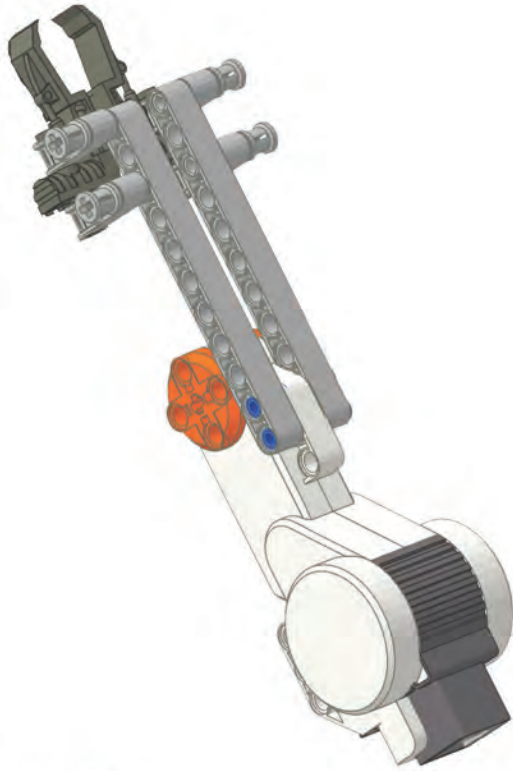
4



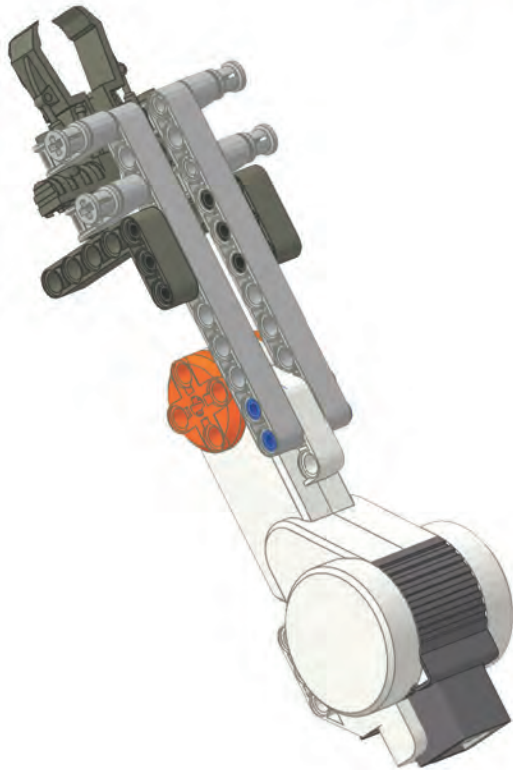
5



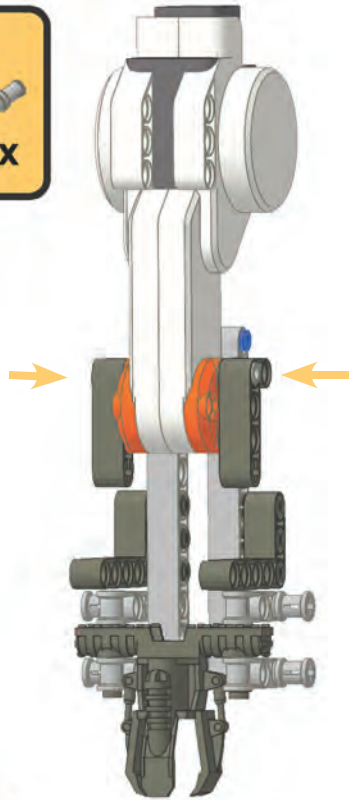
6



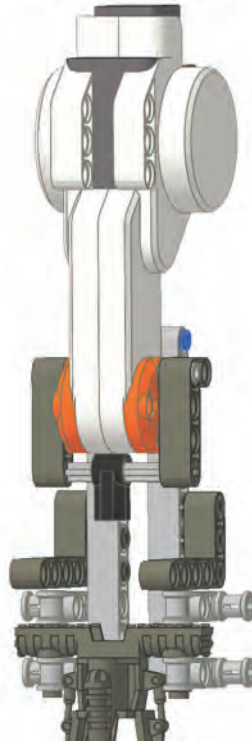
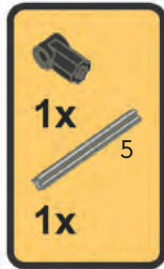
7



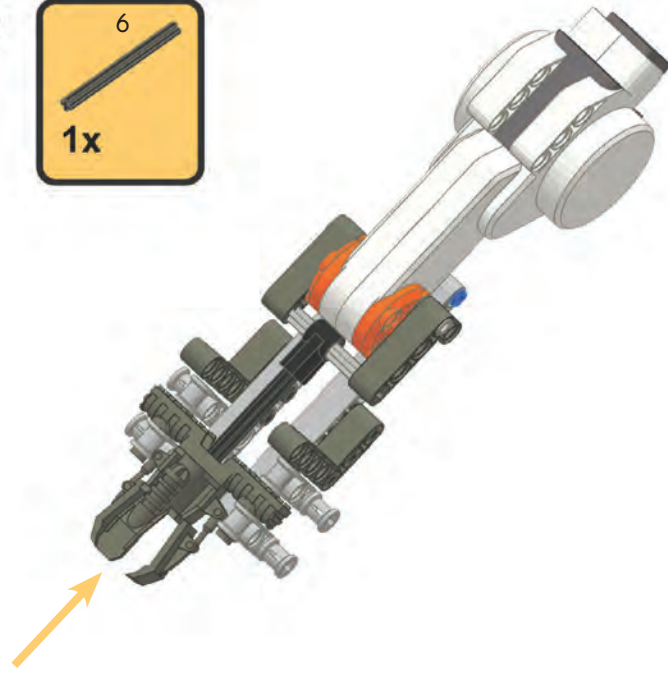
8



9



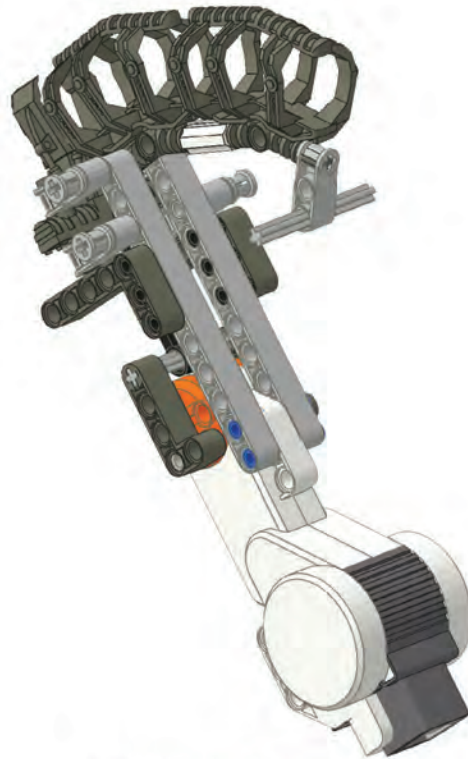
10



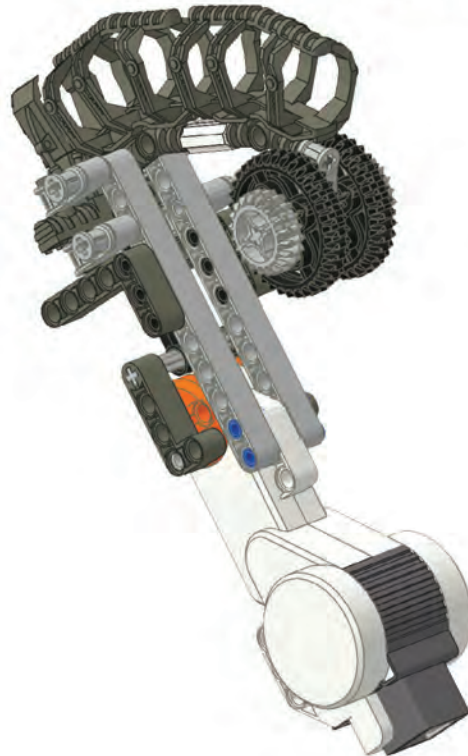
11



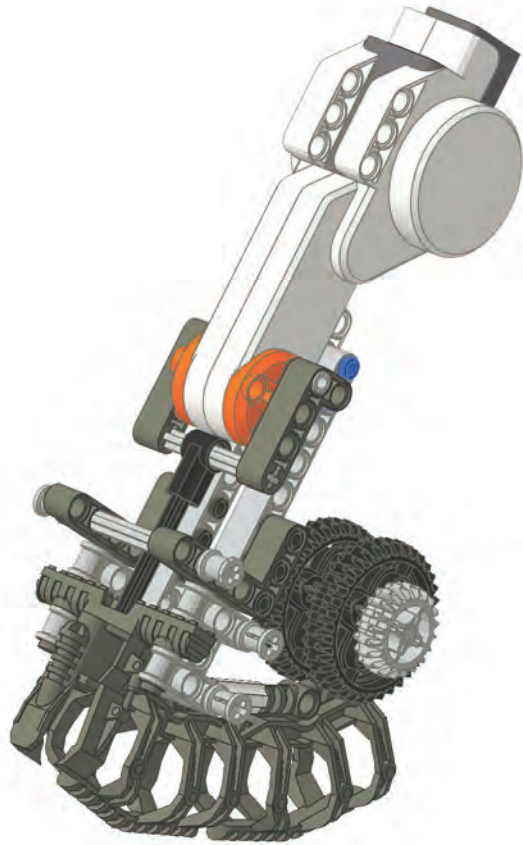
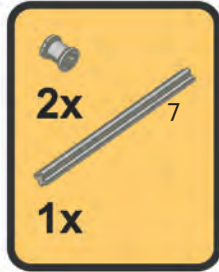
12



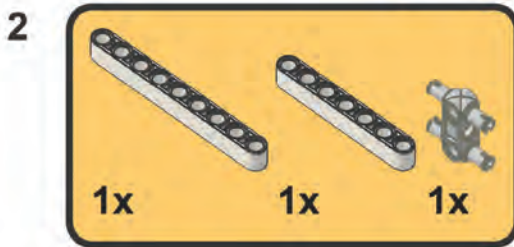
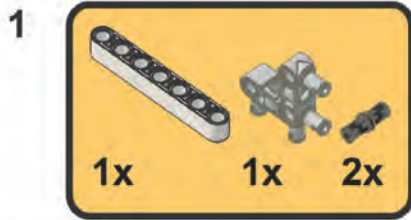
13



14



Tail



5



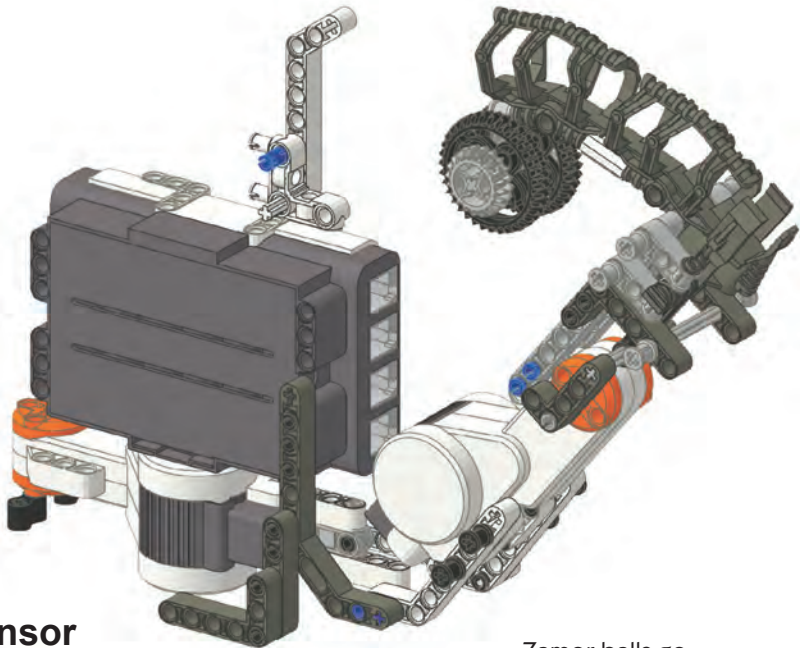
6



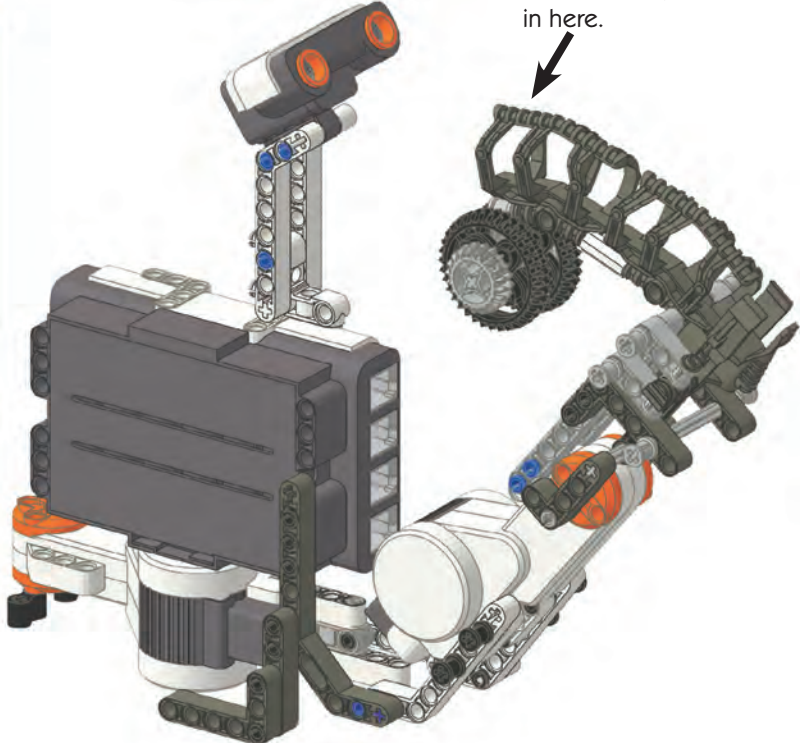
7



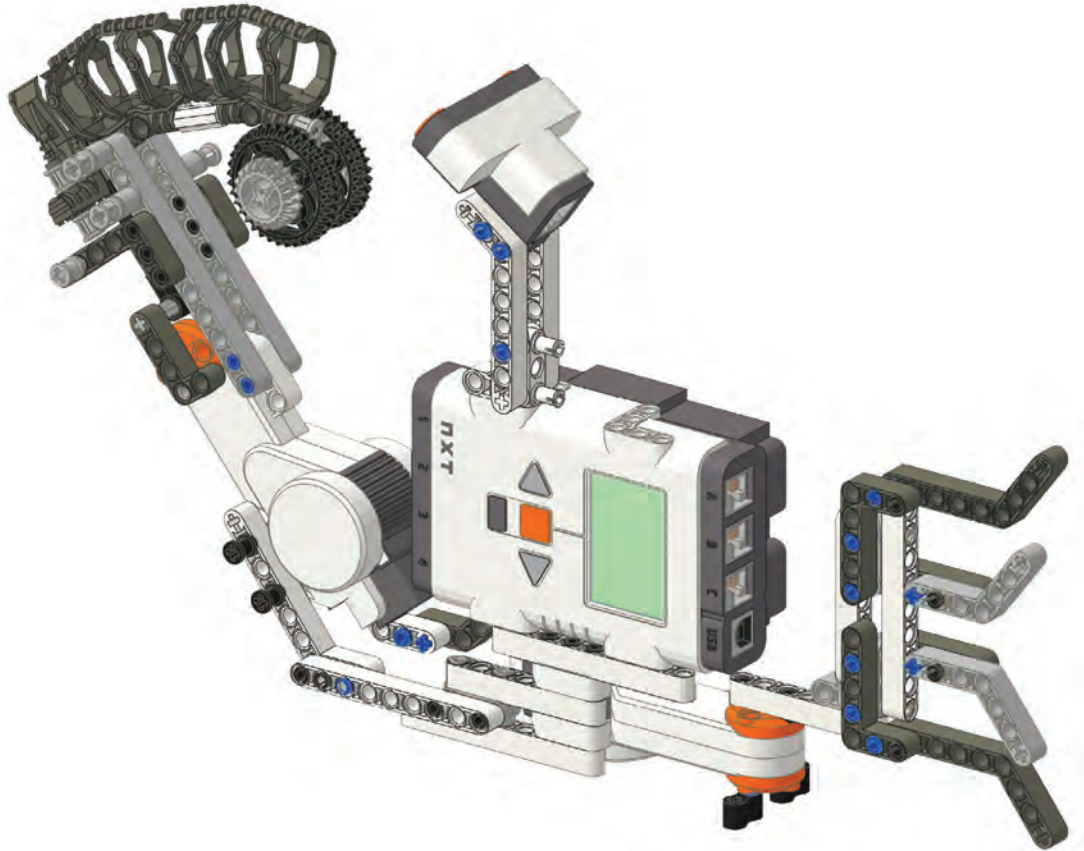
Connect Head to Body



Add Ultrasonic Sensor



Attach Tail



Wiring

Connect the Ultrasonic Sensor to Port 4.

Connect the tail motor to Port C.

Connect the head motor to Port B.

Archerfish Program

The program on the top beam tells the Ultrasonic Sensor to detect “insects” and shoot at them. The program on the lower beam tells the tail to slowly waive back and forth.

